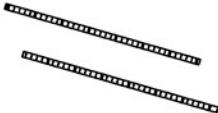
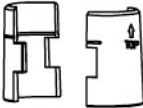
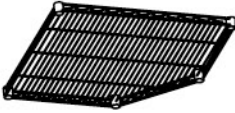

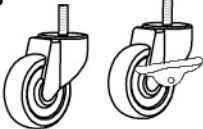

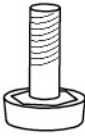
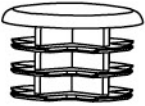
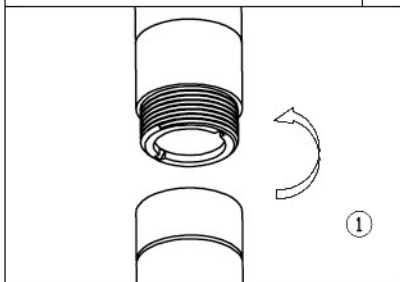
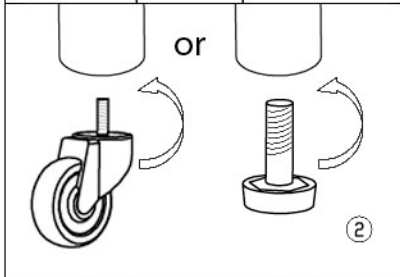


#15249 ASSEMBLY INSTRUCTION - 6-TIER CORNER PENTAGON SHELF

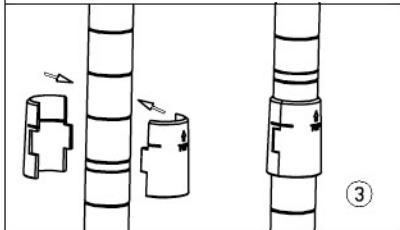
A - 5 pcs Poles 	B - 30 pairs Slip Sleeves 	C - 6 pcs Shelves 	D - 6 pcs Shelf Inlays 
E - 5 pcs Wheels 	F - 5 pcs Thread Inserts 	G - 10 pcs Leveling Feet 	H - 5 pcs Caps 



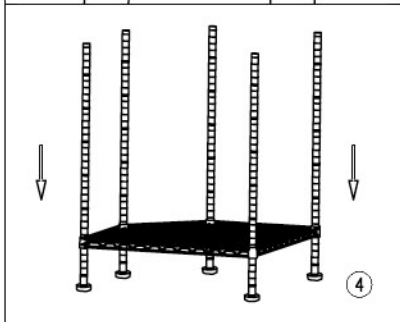
Step 1:
Screw the top and bottom **Poles (A)** together.



Step 2:
Screw the **Wheels (E)** or **Leveling Feet (G)** into the bottom ends of each pole.

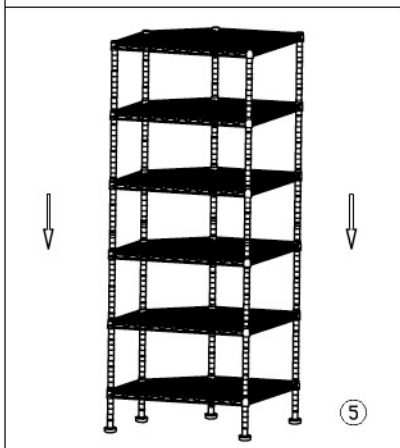


Step 3:
Starting from the bottom, fasten a pair of **Slip Sleeves (B)** around the groove of each pole. If necessary, move the sleeves slightly up or down until it snap into place.

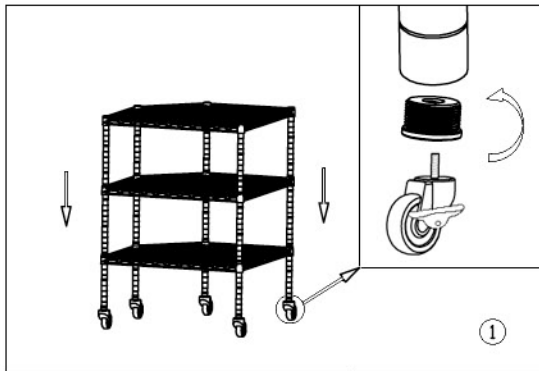


Step 4:
Slide the **Shelf (C)** over the top of the 5 poles until it rests snugly over the sleeves. Repeat for 4 more shelves.

Tip: If necessary, use a rubber mallet to further secure the shelf.



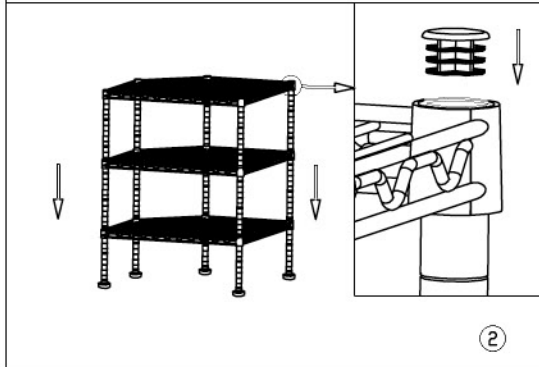
Step 5:
Fasten 5 pairs of slip sleeves at the very top of the poles. Slide the last shelf over the poles.



TO ASSEMBLE TWO SEPERATE UNITS:

Step 1:

Screw the **Thread Inserts (F)** into the bottom of each pole.



Step 2:

Insert the **Caps (H)** on top of each pole to cover the holes.

CAUTION:

- DO NOT STAND ON OR CLIMB ON THE SHELVING SYSTEM.
- DO NOT DROP HEAVY ITEMS ON THE SYSTEM.
- PLACE HEAVIER ITEMS ON THE LOWER SHELVES AND LIGHTER ONES ON THE TOP SHELVES.
- DO NOT MOVE THE SYSTEM WHILE LOADED.

WARNING:

- EACH SHELF HOLDS 600 LB EVENLY DISTRIBUTED WITH LEVELING FEET.
- ENTIRE SHELF SYSTEM HOLDS 3,600 LB WITH LEVELING FEET.
- ENTIRE SHELF SYSTEM HOLDS 600 LB WITH WHEELS.



Customer Service

Tel 1.310.533.3800

Tel 1.800.323.5565

Fax 1.310.533.3899

Monday through Friday 8:30 am - 4:30 pm
(Pacific Time)



Seville Classics, Inc.

Torrance, CA 90501 USA

www.sevilleclassics.com

Please read and save these instructions

©2010 Seville Classics, Inc.

Rev. 11/10