

PALLET RACK

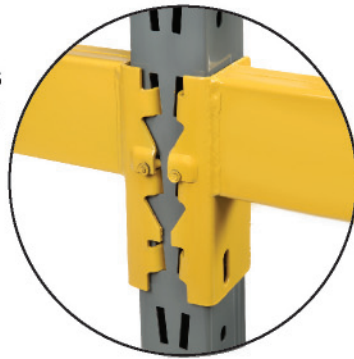
Invincible Rack

Invincible's teardrop pattern sets the industry standard and accepts most teardrop style beams. Beams feature the patented Bowlock® safety clip which installs automatically to prevent dislodgement. Many standard sizes available to ship in 48 hours.



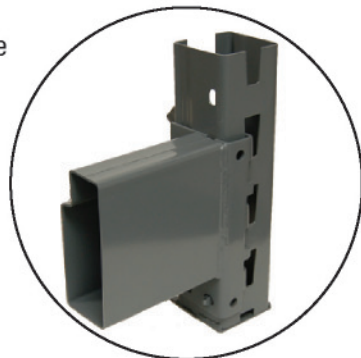
Lynx Rack®

Features two angled slots on 3" centers. Compatible with similar designs of double slotted rack.



Reliable® Rack

Features a single keystone hole in the center of the upright face on a 3" centerline. Beams adjustable every 3". Beams from both sides share the same hole. Compatible with similar designs of keystone rack.



Cable Reel



Our cable reel rack assembles without tools in just minutes. Axle brackets with capacities of up to #2,000/pair drop in and lift out for quick changing of materials.

PALLET RACK ACCESSORIES

Wire Deck

Husky Rack & Wire is the only company in the country that manufactures both pallet rack and wire decking. This means your rack and deck ship on one truck.



Rack Guard

Keep inventory contained and protect your employees with Rack Guard. Rack Guard is constructed of 8 gauge, welded wire mesh, welded into angle frames. Rack Guard prevents materials from falling into flue spaces or walk aisles, improving safety in your facility.



Aisle Shield

Unlike netting, which catches falling products and is difficult and time consuming to install, Aisle Shield prevents loose products from falling in the first place. Aisle shield is constructed of 8 gauge welded wire, installs quickly and easily to your pallet rack and needs no tensioning.



Row Spacers

Maintain flue space uniformity and increase stability.



Crossbars

Prevent misplaced loads from falling through.



Post Protectors

Floor mount in front of column for impact protection.



Anchor Bolt



Shim



WIRE PARTITIONS



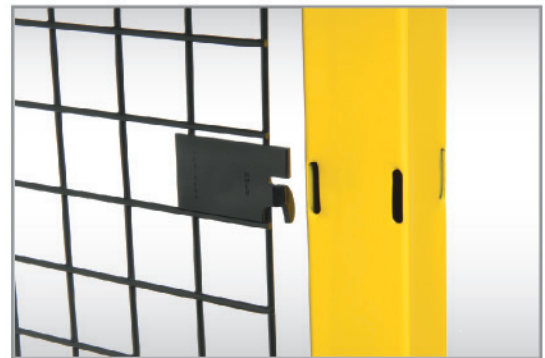
EZ Wire®

Unique design installs quickly and easily with no nuts or bolts. Panel-to-post connections are made on the inside of the cage with drive pins, allowing for a much higher level of security than standard (bolted) wire partitions. EZ Wire is constructed of 10 gauge, 1 1/2" x 1 1/2" diamond pattern wire mesh, securely clinched into a steel frame.



MACHINE GUARDING

Velox®



Velox is the fastest installing machine guarding system available. Most sizes are available to ship in 48 hours. Panels can be easily modified in the field to create your custom system.